

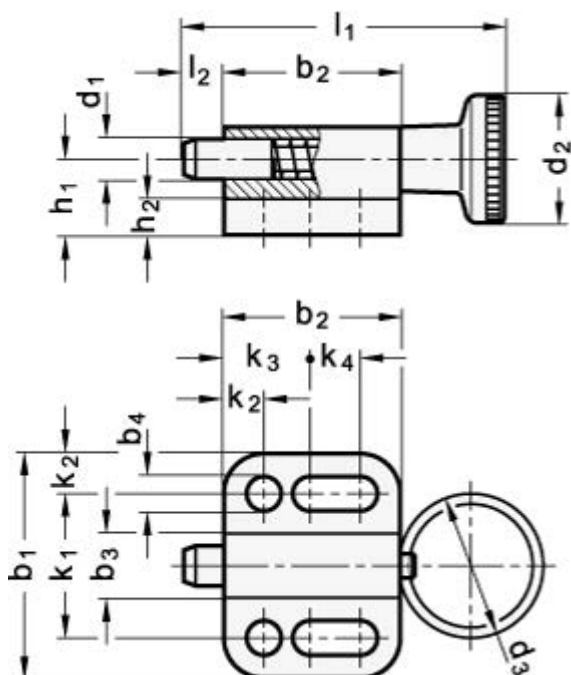
Data Sheet



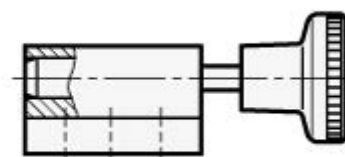
Article number: 204176A

Description: E+G Indexing plunger GN 417-6-A

Measures



Plunger pin retracted



b1 = 32	k1	= 21
b2 = 27.5	k2	= 5.5
b3 = 10	k3	= 21
b4 = 5.4	k4	= 10
d1 = 6	l2	= 6
d3 = 24	Springload in N bottom	= 21
h1 = 10.5	Springload in N top	= 5
h2 = 5	Weight in (g)	= 36